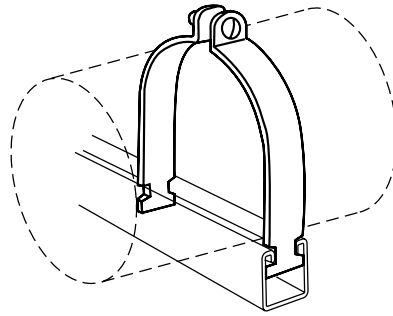


## O.D. Tubing Clamp Fig. AS 1200AS



### Description

Anvil-Strut Pipe Clamps are all manufactured to fit into the standard openings of 1<sup>5</sup>/<sub>8</sub>" channel to support runs of piping where desired, to secure the pipe in place.

AS 1200AS EG, SS, ZTC Copper Plated (refer to table for sizes offered)

O.D. Size	Tube Size	Steel Gauge	Wt./100 Pcs.	Std. Pkg.	O.D. Size	Tube Size	Steel Gauge	Wt./100 Pcs.	Std. Pkg.
1/4"	1/8"	16	8	100	2 1/4"	2 1/8"	12	33	50
3/8"◆	1/4"	16	8	100	2 3/8"	2 1/4"	12	34	50
1/2"◆	3/8"	16	8	100	2 1/2"	2 3/8"	12	35	50
5/8"◆	1/2"	16	9	100	2 5/8"◆	2 1/2"	12	39	50
3/4"	5/8"	16	11	100	2 3/4"	2 5/8"	12	37	50
7/8"◆	3/4"	16	11	100	2 7/8"	2 3/4"	12	39	50
1"	7/8"	14	13	100	3"	2 7/8"	12	41	50
1 1/8"◆	1"	14	15	100	3 1/8"◆	3"	12	42	50
1 1/4"	1 1/8"	14	16	100	3 1/4"	3 1/8"	12	42	50
1 3/8"◆	1 1/4"	14	17	100	3 3/8"	3 1/4"	12	43	50
1 1/2"	1 3/8"	14	18	100	3 1/2"	3 3/8"	12	44	50
1 5/8"◆	1 1/2"	14	19	100	3 5/8"◆	3 1/2"	11	56	25
1 3/4"	1 5/8"	12	19	50	3 3/4"	3 5/8"	11	57	25
1 7/8"	1 3/4"	12	28	50	3 7/8"	3 3/4"	11	57	25
2"	1 7/8"	12	31	50	4"	3 7/8"	11	61	25
2 1/8"◆	2"	12	31	50	4 1/8"◆	4"	11	61	25

◆ Available Copper Plated  
All sizes are offered in pre-assembled only  
ORDERING: Specify figure number and O.D. size.  
Std Pkg & Wt/100 pcs: See charts above.

LEGEND:  
GR: Powder Coated Supr-Green EG: Electro-Galvanized PG: Pre-Galvanized AL: Aluminum  
HG: Hot Dipped Galvanized PL: Plain SS: Stainless Steel  
ZTC: Zinc Trivalent Chromium Stainless Steel (SS), Zinc Trivalent Chromium (ZTC) and Hot Dipped Galvanized (HG) are specialty finishes. Pricing is located in the Specialty Strut Section of the Anvil-Strut price book.



PROJECT INFORMATION	APPROVAL STAMP
Project:	Approved
Address:	Approved as noted
Contractor:	Not approved
Engineer:	Remarks:
Submittal Date:	
Notes 1:	
Notes 2:	

## O.D. Tubing Clamp Fig. AS 1200AS

AS 1200AS EG, SS, ZTC Copper Plated (refer to table for sizes offered)

O.D. Size	Tube Size	Steel Gauge	Wt./100 Pcs.	Std. Pkg.	O.D. Size	Tube Size	Steel Gauge	Wt./100 Pcs.	Std. Pkg.
4 1/4"	4 1/8"	11	64	25	6 1/2"	6 3/8"	11-10	99	25
4 3/8"	4 1/4"	11	64	25	6 5/8"	6 1/2"	11-10	100	25
4 1/2"	4 3/8"	11	66	25	6 3/4"	6 5/8"	11-10	102	25
4 5/8"	4 1/2"	11	66	25	6 7/8"	6 3/4"	11-10	104	25
4 3/4"	4 5/8"	11	68	25	7"	6 7/8"	11-10	108	25
4 7/8"	4 3/4"	11	73	25	7 1/8"	7"	11-10	108	25
5"	4 7/8"	11	74	25	7 1/4"	7 1/8"	11-10	112	25
5 1/8" ♦	5"	11	70	25	7 3/8"	7 1/4"	11-10	112	25
5 1/4"	5 1/8"	11	70	25	7 1/2"	7 3/8"	11-10	116	25
5 3/8"	5 1/4"	11	77	25	7 5/8"	7 1/2"	11-10	115	25
5 1/2"	5 3/8"	11	78	25	7 3/4"	7 5/8"	11-10	119	25
5 5/8"	5 1/2"	11-10	83	25	7 7/8"	7 3/4"	11-10	119	25
5 3/4"	5 5/8"	11-10	84	25	8"	7 7/8"	11-10	121	25
5 7/8"	5 3/4"	11-10	85	25	8 1/8"	8"	11	125	25
6"	5 7/8"	11-10	94	25	8 1/4"	8 1/8"	11	126	25
6 1/8" ♦	6	11-10	94	25	8 3/8"	8 1/4"	11	128	25
6 1/4"	6 1/8"	11-10	96	25	8 1/2"	8 3/8"	11	129	25
6 3/8"	6 1/4"	11-10	98	25	8 5/8"	8 1/2"	11	130	25

♦ Available Copper Plated

All sizes are offered in pre-assembled only  
ORDERING: Specify figure number and O.D. size.  
Std Pkg & Wt/100 pcs: See charts above.

**LEGEND:**

**GR:** Powder Coated Supr-Green **EG:** Electro-Galvanized **PG:** Pre-Galvanized **AL:** Aluminum

**HG:** Hot Dipped Galvanized **PL:** Plain SS: Stainless Steel

**ZTC:** Zinc Trivalent Chromium Stainless Steel (**SS**), Zinc Trivalent Chromium (**ZTC**) and Hot Dipped Galvanized (**HG**) are specialty finishes. Pricing is located in the Specialty Strut Section of the Anvil-Strut price book.